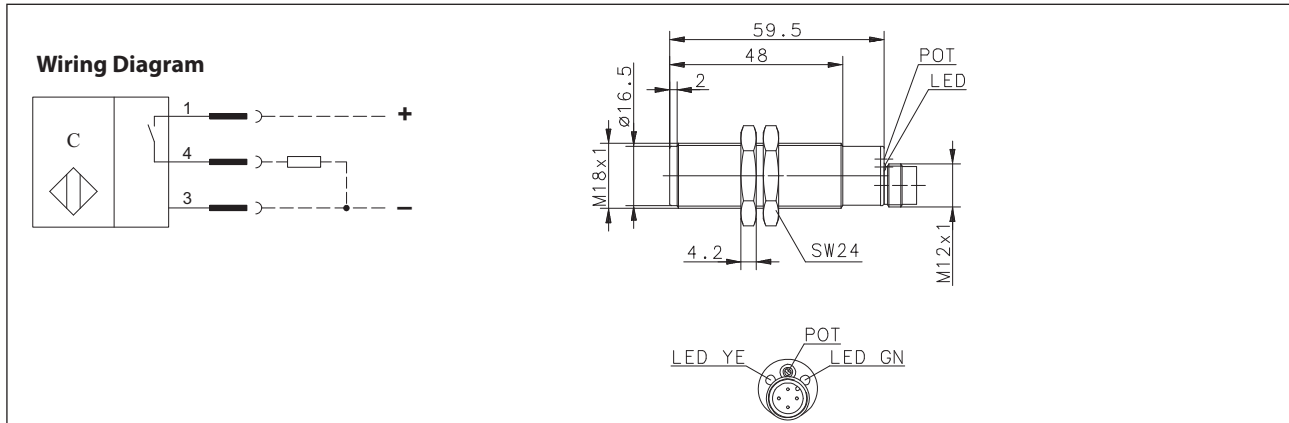


## Capacitive Proximity Switch Series M18

Description **KCN-T18PS/013-KLPS12V**

Article number **6507921004**



### Identifying characteristics in accordance with EN 60947-5-2

Electrical data		
Rated operating distance	$S_n$	20 mm
Effective operating distance	$S_r$	12,15 ... 14,85 mm
Mounting		non flush
Standard target		50 mm x 50 mm x 1 mm; material: steel; connected to earth
Sensing range	$S_d$	11,5 ... 12,5 mm; $S_r$ adjustable with potentiometer (POT); turn right $\hat{=}$ high sensitivity, turn left $\hat{=}$ low sensitivity
Assured operating distance	$S_a$	$0 \leq S_a \leq 0,8 \times S_r$
Switching element function		DC N.O. pnp-output
Repeat accuracy	R	$\leq 0,1 \times S_r$
Differential travel (hysteresis)	H	$\leq 0,2 \times S_r$
Frequency of operating cycles	f	$\geq 25$ Hz
Rate doperational voltage	$U_e$	12 V - 48 V DC
Operational voltage range	$U_b$	10 V - 60 V DC
Rated insulation voltage	$U_i$	75 V DC
Rated impulse withstand voltage	$U_{imp}$	500 V
Voltage drop	$U_d$	$< 2$ V DC
Utilization category		DC 13
Rated operational current	$I_e$	200 mA DC
Minimum operational current	$I_m$	$\geq 1$ mA DC
Off-state current	$I_r$	$\leq 0,5$ mA DC
No-load supply current	$I_o$	$\leq 20$ mA DC
Switching element		permanent overload and s.c.p.
Short-circuit protection		pulsed
False polarity protection		yes, with permutation of +, -, output no damage occurs
Time delay before availability	$t_v$	$\leq 50$ ms

<b>Electromagnetic compatibility (EMC)</b>		
Electromagnetic field test	IEC 61000-4-3	10 V/m, 80...1000 MHz
Electrostatic discharge test	IEC 61000-4-2	6 kV CD, 8 kV AD
Electrical fast transient immunity test (Burst)	IEC 61000-4-4	4 kV coupling clamp
Impulse voltage withstand ability (Surge)	IEC 61000-4-5	500 V, 1,2/50 µs @ Ri = 42 Ω

<b>Mechanical Data</b>	
Enclosure	PBT, black
End cap	PA6.6, black
Ambient air temperature	-25 °C ... +70 °C
Type of protection	IP65 (only in fully locked position with it's plugs)
Pollution degree	3 (Pollution of the active zone can cause impairments of the operating distances.)
Indication	Power ON = LED green Output ON = LED yellow
Termination type	plug-connection
For attachment	2 x Hexagon nut (PA6.6, black)

<b>EU Conformity</b>	
	acc. to directive 2004 / 108 / EC